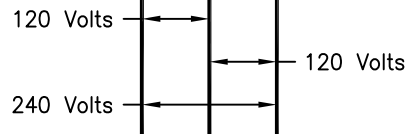
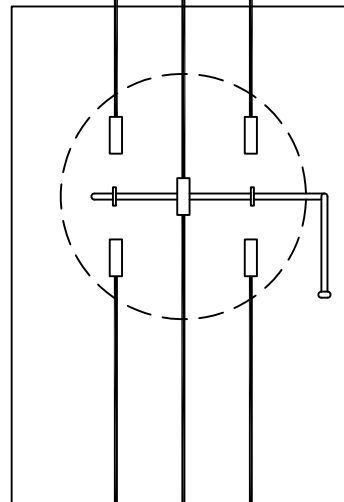


Form 2S  
 120/240 Volt 3-Wire  
 Single Phase  
 200 or 320 Amp Ring-less Meter Socket with Lever Bypass



To Service Panel

NOTES:

1. 200 amps maximum on 200 amp meter socket and 320 amps maximum on 320 amp socket.

DAKOTA ELECTRIC ASSOCIATION		
<b>GUIDE DRAWING</b> <small>THIS DRAWING WAS DEVELOPED FOR A TYPICAL INSTALLATION AND MAY NOT BE APPLICABLE TO ALL INSTALLATIONS CONSULT AN EXPERT FOR FINAL INSTALLATION DESIGN</small>	SINGLE PHASE THREE WIRE 120/240 VOLT 200 OR 320 AMP METER CONNECTION DIAGRAM	
	OWNER CRAIG TURNER DATE 5/15/12	NO. MTR-2S