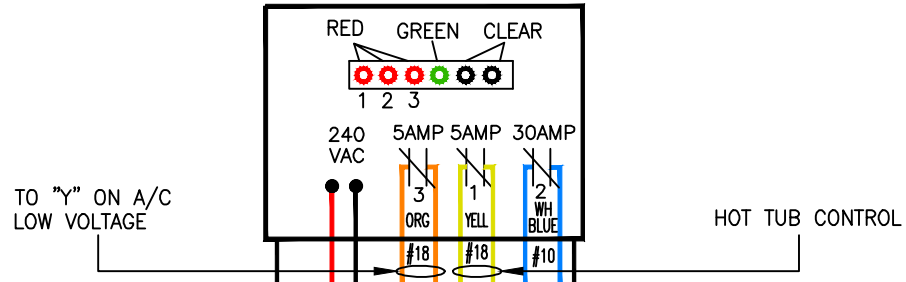


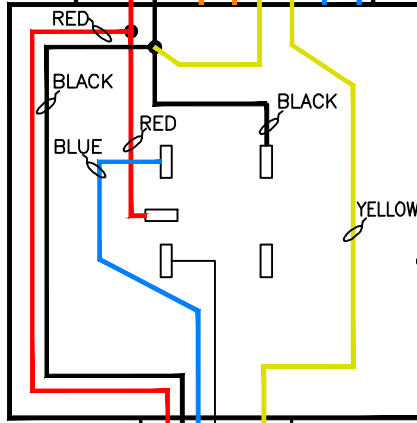
LOAD CONTROL RECEIVER



LOAD MANAGEMENT
METER SOCKET

LOCATED OUTSIDE
4-6FT ABOVE
GROUND LEVEL

CALL DEA ENERGY SERVICES
AFTER WIRING IS COMPLETED TO
SCHEDULE METER INSTALLATION



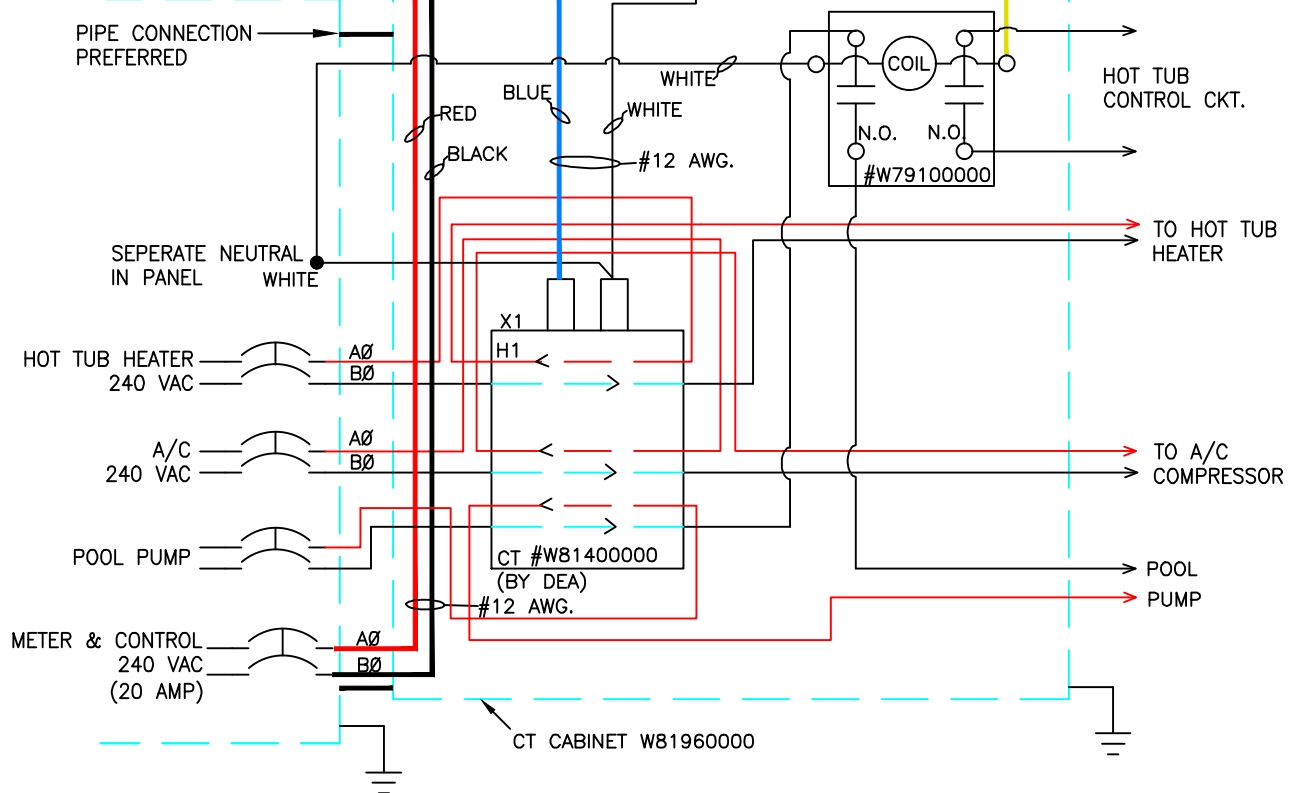
SOCKET & LCR
#W77550000

OUTSIDE
INSIDE

INSTALL IN CONDUIT

ELECTRICAL PANEL

PIPE CONNECTION
PREFERRED



NOTES:

1. ALL WIRING SHALL MEET THE REQUIREMENTS OF THE NATIONAL ELECTRICAL CODE (NEC). AND LOCAL REGULATIONS.
2. METER SOCKET MUST HAVE BYPASS TO SHUNT CT WHEN METER IS REMOVED.
3. CT MUST BE GROUNDED AT ELECTRICAL PANEL.
4. LABEL OFF PEAK CONTROL BREAKER.
5. FOR OUTDOOR HOT TUBS CONTROL HEATERS ONLY.
6. OPTION: MOUNT SEPERATE LCR TO CONTROL HOT TUB HEATER.

DAKOTA ELECTRIC ASSOCIATION

GUIDE DRAWING

THIS DRAWING WAS DEVELOPED FOR
A TYPICAL INSTALLATION AND MAY
NOT BE APPLICABLE TO ALL
INSTALLATIONS CONSULT AN EXPERT
FOR FINAL INSTALLATION DESIGN

SUB METERED-HOT TUB POOL PUMP
AND A/C

CLASS 1 / DIV 16

OWNER ENG. MANAGER
DATE 04/15/12

NO.
DIA-14A