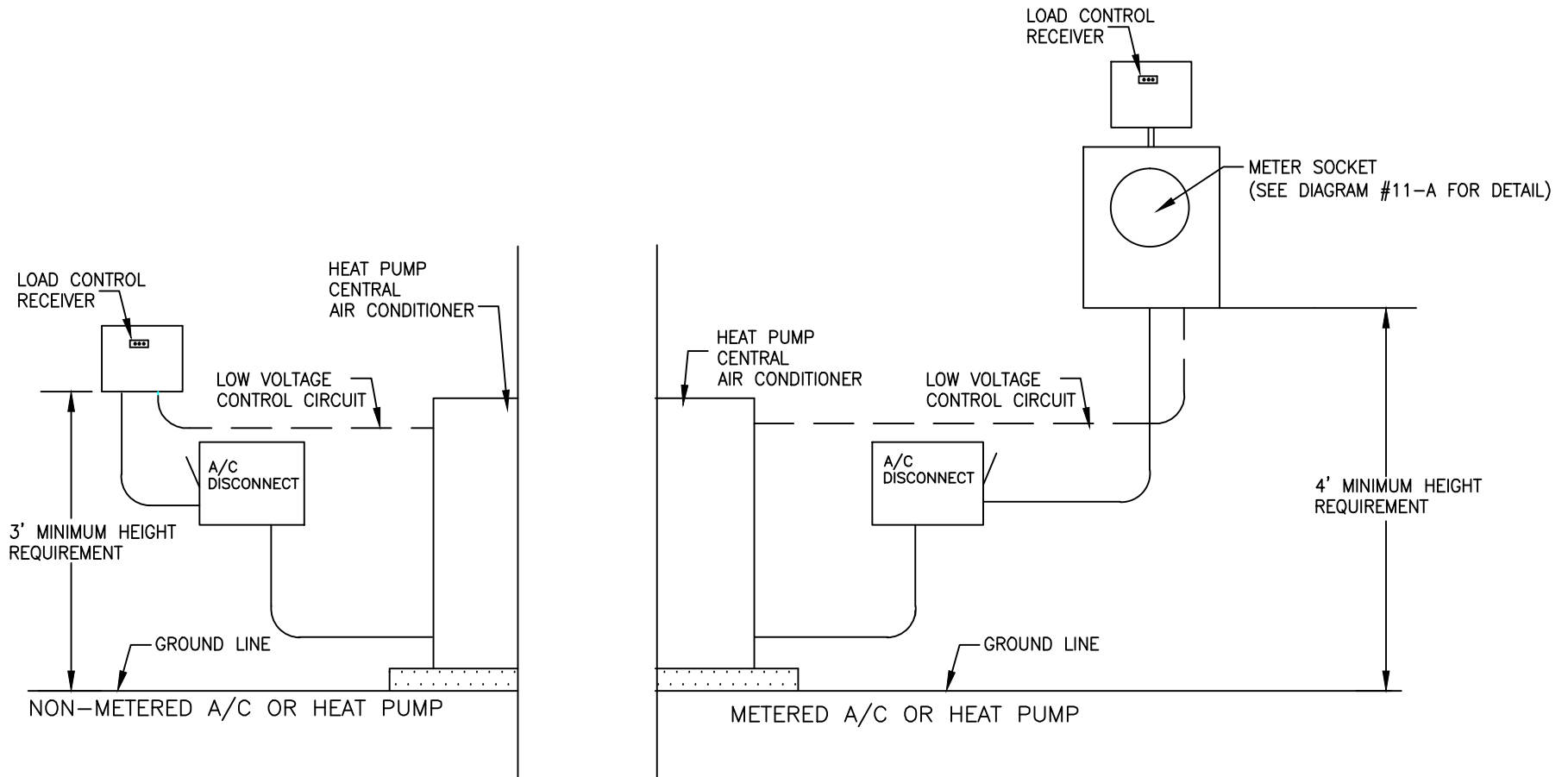


## CYCLED HEAT PUMP A/C INSTALLATION



**NOTES:**

1. ALL WIRING SHALL MEET THE REQUIREMENTS OF THE NATIONAL ELECTRICAL CODE (NEC), AND LOCAL REGULATIONS.
2. METER AND LOAD CONTROL RECEIVER SUPPLIED BY DEA.
3. SOCKET @ RECEIVER MUST BE FASTENED SECURELY.
4. A/C DISCONNECT IS REQUIRED.
5. MOUNTING LOCATION SHALL ALLOW FOR 3' CLEAR ACCESS IN FRONT OF RECEIVER & METER SOCKET.

<b>DAKOTA ELECTRIC ASSOCIATION</b>		
<b>GUIDE DRAWING</b>	SUB METERED – CYCLED A/C INSTALLATION	
THIS DRAWING WAS DEVELOPED FOR A TYPICAL INSTALLATION AND MAY NOT BE APPLICABLE TO ALL INSTALLATIONS. CONSULT AN EXPERT FOR FINAL INSTALLATION DESIGN.	OWNER    ENG. MANAGER	NO.
	DATE    04/15/12	DIA-11B