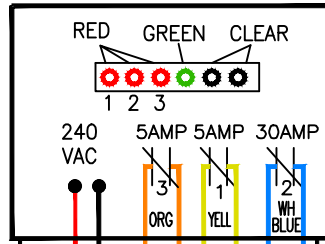


LOAD CONTROL RECEIVER

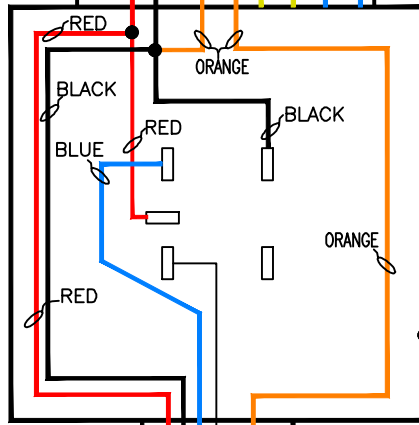


LOW VOLTAGE CONTROL FOR AC-HEAT PUMP (SEE DIA-7A)

LOAD MANAGEMENT METER SOCKET

LOCATED OUTSIDE 4-6FT ABOVE GROUND LEVEL

CALL DEA ENERGY SERVICES AFTER WIRING IS COMPLETED TO SCHEDULE METER INSTALLATION



SOCKET & LCR W77550000

OUTSIDE

INSIDE

ELECTRICAL PANEL

PIPE CONNECTION PREFERRED

TO NEUTRAL IN PANEL

SEPERATE NEUTRAL IN PANEL WHITE

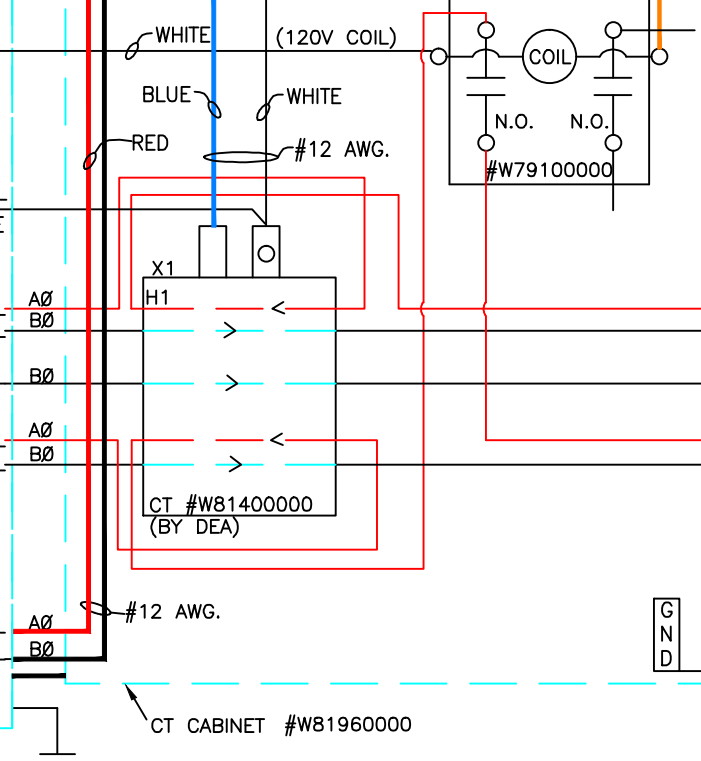
HEAT PUMP 240 VAC

FURNACE CIRCUIT 115 VAC

ELECTRIC HEAT 240 VAC

METER & CONTROL 240 VAC

CT CABINET #W81960000



NOTES:

1. ALL WIRING SHALL MEET THE REQUIREMENTS OF THE NATIONAL ELECTRICAL CODE (NEC). AND LOCAL REGULATIONS.
2. METER SOCKET MUST HAVE BYPASS TO SHUNT CT WHEN METER IS REMOVED.
3. CT MUST BE GROUNDED AT ELECTRICAL PANEL.
4. LABEL OFF PEAK CONTROL BREAKER.
5. FURNACE CIRCUIT ALLOWED TO BE SUB-METERED FOR HEAT PUMP INSTALLATIONS ONLY.
6. OPTION: INSTALL SEPERATE LCR FOR HEAT PUMP CONTROL.

DAKOTA ELECTRIC ASSOCIATION

GUIDE DRAWING

THIS DRAWING WAS DEVELOPED FOR A TYPICAL INSTALLATION AND MAY NOT BE APPLICABLE TO ALL INSTALLATIONS CONSULT AN EXPERT FOR FINAL INSTALLATION DESIGN

SUB METERED - HEAT PUMP BASEBOARD HEAT

CLASS 1 / DIV 1-8

OWNER ENG. MANAGER
DATE 04/15/12

NO. DIA-3