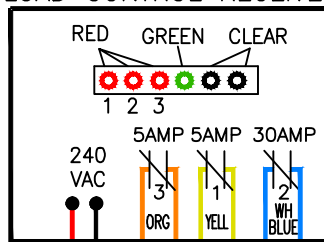


LOAD CONTROL RECEIVER



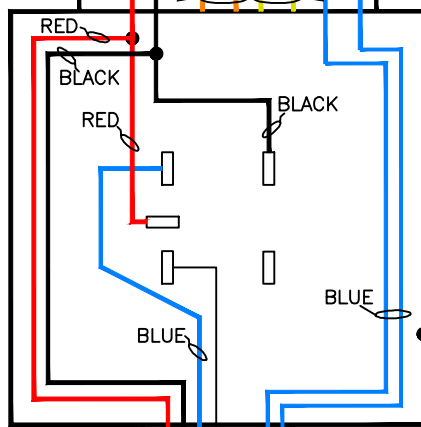
LOW VOLTAGE CONTROL FOR AC-HEAT PUMP (SEE DIA-7A)

LOW VOLTAGE CONTROL FOR ELECTRIC FURNACE

LOAD MANAGEMENT METER SOCKET

LOCATED OUTSIDE 4-6FT ABOVE GROUND LEVEL

CALL DEA ENERGY SERVICES AFTER WIRING IS COMPLETED TO SCHEDULE METER INSTALLATION



SOCKET & LCR W77550000

OUTSIDE

INSIDE

INSTALL IN CONDUIT

ELECTRICAL PANEL

PIPE CONNECTION PREFERRED

SEPERATE NEUTRAL IN PANEL WHITE

HEAT PUMP 240 VAC  
FURNACE CIRCUIT 240 VAC  
WATER HEATER 240 VAC

METER & CONTROL 240 VAC

(120V COIL)  
WHITE  
#12 AWG.

X1

H1

CT #W81400000 (BY DEA)

#12 AWG.

CT CABINET #W81940000

TO HEAT PUMP  
TO ELECTRIC FURNACE  
TO WATER HEATER

NOTES:

1. ALL WIRING SHALL MEET THE REQUIREMENTS OF THE NATIONAL ELECTRICAL CODE (NEC), AND LOCAL REGULATIONS.
2. METER SOCKET MUST HAVE BYPASS TO SHUNT CT WHEN METER IS REMOVED.
3. CT MUST BE GROUNDED AT ELECTRICAL PANEL.
4. LABEL OFF PEAK CONTROL BREAKER.

DAKOTA ELECTRIC ASSOCIATION

GUIDE DRAWING

THIS DRAWING WAS DEVELOPED FOR A TYPICAL INSTALLATION AND MAY NOT BE APPLICABLE TO ALL INSTALLATIONS CONSULT AN EXPERT FOR FINAL INSTALLATION DESIGN

SUB METERED-HEAT PUMP  
ELECTRIC FURNACE  
AND WATER HEATER  
CLASS 1 / DIV 1-8

OWNER ENG. MANAGER  
DATE 04/15/12

NO.

DIA-4